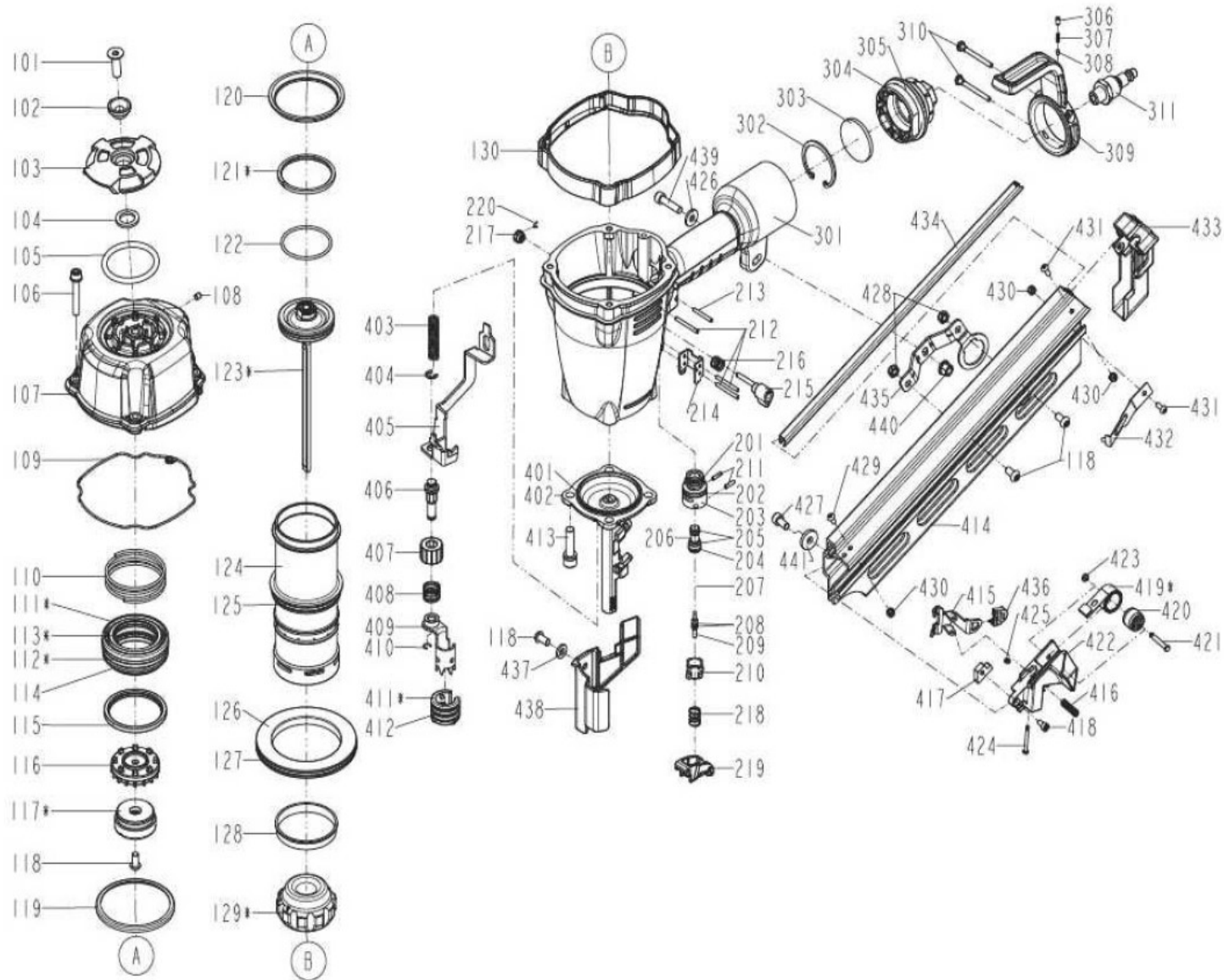


NAIL GUN ESSVE FN 34/90

Tool Partnr: 713147



POS	PARTS NAME	ESSVE Partnumber	POS	PARTS NAME	ESSVE Partnumber	POS	PARTS NAME	ESSVE Partnumber
101	COUNTER SUNK SCREW	2040103050102	209	PLUNGER	871529	416	SPRING	10001264
102	DEFLECTOR PAD	1136B03747011	210	TRIGGER VALVE HEAD	1137300847011	417	SQUARE UNITS	10001143
103	DEFLECTOR	1137103747071	211	SPRING PIN	10001190	418	HEX.SOC.HD.BOLT	872188
104	RUBBER PAD	1135G03747011	212	SPRING PIN	10001047	419*	PUSHER SPRING	10004324
105	MUFFLER ASSY	1132P03700021	213	SPRING PIN	10001046	420	ROLLING ELEMENT	1138603700021
106	BOLT ASSY	10003366	214	SAFETY GUIDE	10001094	421	ROLL PIN	10001282
107	CAP	10001137	215	LEVER, ACTUATION SELECTION	10004312	423	PU RETAINER	10001254
108	HEX.SOC.HD.SCREW	10001371	216	SPRING	10004313	424	TRIGGER PIVOT PN	10001223
109	CYLINDER CAP SEAL	10004308	217	RETAINER, SELECTION LEVER	1131M03747011	425	URETHANE RETAINER	1131D04600011
110	COMPRESSION SPRING	10001117	218	SPRING	1137603700011	426	FLAT WASHER	10001188
111*	O - RING	10004320	219	TRIGGER ASSY	1122403700011	427	HEX.SOC.HD.BOLT	10001178
112*	O - RING	10004321	220	RING	1131C03700011	428	LOCK NUT	10001194
113*	O - RING	10004322	301	GUN BODY UNIT	10004314	429	HALF ROUND HD.HEX.BOLT	10001182
114	HD.VALVE PISTON	10001134	302	C - RING	10001189	430	LOCK NUT	10001055
115	COLLAR	10001174	303	FILTER	10001150	431	HALF ROUND HD.HEX.BOLT	10001183
116	VALVE	10001144	304	END CAP	11346037A1031	432	STOP NAIL PLATE	10001075
117*	SEAL	1137003700041	305	O - RING	2041108050400	433	PROTECTING HOOD COVER	10004350
118	HALF ROUND HD.HEX.BOLT	10001184	306	HEX.SOC.HD.SCREW	2040104020200	434	STEEL CHANNEL	10001170
119	PRESS RING	10001138	307	POSITIONING SPRING	1434700300011	435	POSITIONING SHEET	10001082
120	PRESS RING	10001114	308	POSITIONING SHAFT	1136C00847011	436	GLOVE	10001157
121*	PISTON RING	874314	309	BELT HOOK	1133D03747031	437	FLAT WASHER	10001186
122	O - RING	871123	310	SCREW	10000966	438	COVER-SAFETY	10001148
123*	DRIVER UNIT	10004351	311	AIR PLUG	10002926	439	HEX.SOC.HD.BOLT	10001179
124	CYLINDER	10004309	401	O - RING	10004315	440	BOLT CAP	10001195
125	O - RING	872121	402	NOSE PIECE	10003363	441	FLAT WASHER	10001187
126	CYLINDER SPACER	10001077	403	SAFETY SPRING	872128			
127	O - RING	10004310	404	E - RING	10004316			
128	CYLINDER RING	1132203700021	405	SAFETY B	10001092			
129*	BUMPER	1132703700014	406	ADJUST ROD UNIT	10001070			
130	PROTECTIVE CUSHION	10004311	407	ADJUST AXIE	10001166			
201	O - RING	871521	408	WORKPIECE CONTACT SPRING B	10001158			
202	O - RING	871523	409	SAFETY A	10001089			
203	PLUNGER CAP	871522	410	RING	10001076			
204	O - RING	871526	411*	PROTECTIVE CASING	901073 (3 PCS)			
205	O - RING	871524	412	FIXED RING	874763			
206	VALVE PLUNGER	871525	413	BOLT ASSY	10004317			
207	SPRING	871527	414	MAGAZINE A	10001155			
208	O - RING	10001061	415	PUSHER	10001259			

Service kits:	
Service kit	901071
Driver kit	901077
No mark set	901073
Latch kit	901083
Trigger valve kit	901069
Trigger switch kit	901193

