

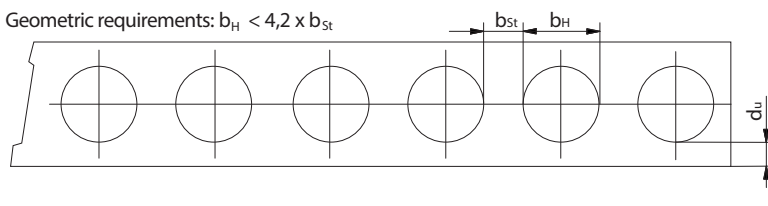
### Recommended loads for pre-stressed hollow concrete slabs

For the recommended loads to be valid the installation of the anchor must be done according to the instructions. The recommended loads can be applied directly, all necessary safety factors are included in the tabulated values.

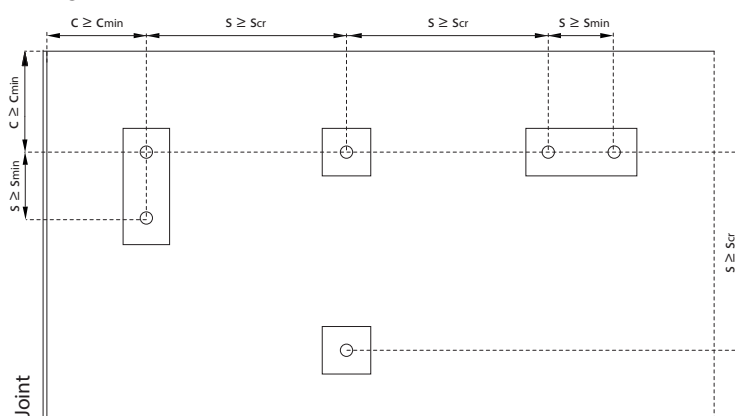
Product Dimension		M6				M8				M10				M12				
		Precast pre-stressed hollow concrete slabs $\geq$ C45/55																
Flange thickness	$d_u$ [mm]	$\geq$	25	30	40	50	25	30	40	50	25	30	40	50	25	30	40	50
<b>Single anchor</b>																		
Recommended tension/shear load (for $c \geq c_{cr}$ )	$F_{rec}$ [kN]		0,7	0,9	2,0	2,9	0,7	0,9	2,0	3,6	0,9	1,2	3,0	3,6	1,0	1,2	3,0	4,3
Characteristic edge distance	$c_{cr}$ [mm]		150				150				150				150			
Recommended tension/shear load (for $c_{min}$ )	$F_{rec}$ [kN]		0,35	0,8	1,8	2,4	0,35	0,8	1,8	3,0	0,8	1,0	2,7	3,0	0,8	1,0	2,7	3,6
Minimum edge distance	$c_{min}$ [mm]		100				100				100				100			
Characteristic spacing	$s_{cr}$ [mm]		300				300				300				300			
<b>Pair of anchors <sup>1)</sup></b>																		
Recommended tension/shear load (for $c \geq c_{cr}$ )	$F_{rec}$ [kN]		0,7	1,4	2,6	3,9	0,7	1,4	2,6	4,8	1,1	2,0	4,8	4,8	1,2	2,0	4,8	5,7
Minimum spacing	$s_{min}$ [mm]		70	80	100	100	70	80	100	100	70	80	100	100	70	80	100	100
Characteristic edge distance	$c_{cr}$ [mm]		150				150				150				150			
Recommended tension/shear load (for $c_{min}$ )	$F_{rec}$ [kN]		0,35	1,25	2,35	3,2	0,35	1,25	2,35	4,0	0,9	1,8	4,3	4,3	1,0	1,8	4,3	4,8
Minimum spacing	$s_{min}$ [mm]		70	80	100	100	70	80	100	100	70	80	100	100	70	80	100	100
Minimum edge distance	$c_{min}$ [mm]		100				100				100				100			
<b>Recommended bending moment</b>																		
Threaded rod / screw with steel grade 5.8	[Nm]		-				10,7				21,4				37,4			
Threaded rod / screw with steel grade 8.8	[Nm]		4,4				17,1				34,2				59,8			
<b>Installation parameters</b>																		
Length of sleeve (without cone)	L [mm]		30				35				40				45			
Minimum length of screw	min $l_s$ [mm]		$42 + t_{fix}$				$47 + t_{fix}$				$55 + t_{fix}$				$61 + t_{fix}$			
Minimum length of threaded rod	min $l_b$ [mm]		$47 + t_{fix}$				$53 + t_{fix}$				$63 + t_{fix}$				$71 + t_{fix}$			
Minimum property class of threaded rod / screw			8.8				5.8				5.8				5.8			
Drill hole diameter	$d_o$ [mm]		10				12				16				18			
Diameter of clearance hole in the fixture	$d_f$ [mm]		7				9				12				14			
Minimum drill depth	$h_o$ [mm]		50				55				60				70			
Installation torque	$T_{inst}$ [Nm]		10				20				30				40			

<sup>1)</sup>The recommended load for the highest loaded anchor in the anchor group must not be higher than the recommended load for a single anchor.

Geometric requirements:  $b_H < 4,2 \times b_{St}$

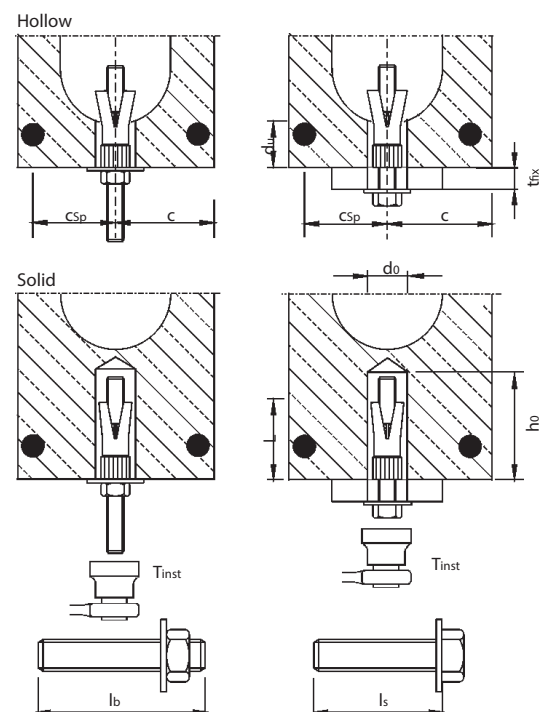


Arrangement of the anchors



Installation with a threaded rod

Installation with a screw



$t_{fix}$  = Fixture thickness  
 $d_u$  = Flange thickness  
 $b_H$  = Width of cavity

$b_{St}$  = Web width  
 $c_{Sp}$  = Distance to tension wire  
 $c$  = Edge distance